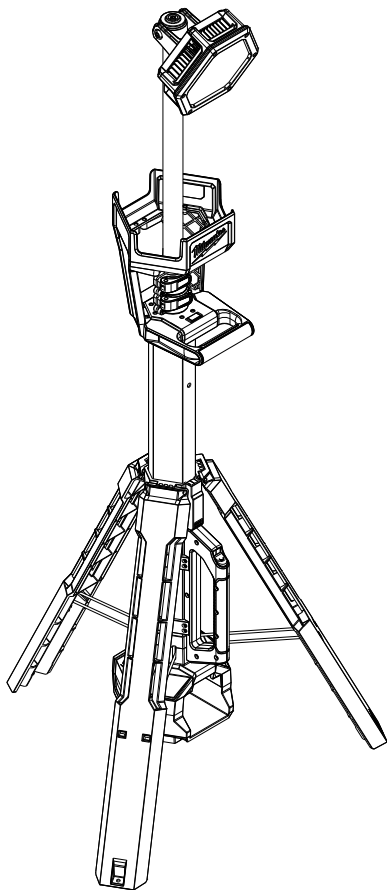




OPERATOR'S MANUAL
MANUEL de L'UTILISATEUR
MANUAL del OPERADOR



Cat. No. / No de cat.
2130-20

M18™ **ROCKET™** LED TOWER LIGHT
TOUR D'ÉCLAIRAGE À DEL M18™ **ROCKET™**
LÁMPARA LED TIPO TORRE M18™ **ROCKET™**



WARNING To reduce the risk of injury, user must read and understand operator's manual.

AVERTISSEMENT Afin de réduire le risque de blessures, l'utilisateur doit lire et bien comprendre le manuel.

ADVERTENCIA Para reducir el riesgo de lesiones, el usuario debe leer y entender el manual.

IMPORTANT SAFETY INSTRUCTIONS

⚠ WARNING Read and understand all instructions. When using electric appliances, basic precautions should always be followed, including the following:

- Before using, read this operator's manual, your battery pack and charger operator's manual, and all labels on the battery pack, charger and light. Learn your light's applications and limitations as well as potential hazards associated with this type of tool.
- Read and understand all the instructions before using the appliance.
- To reduce the risk of injury, close supervision is necessary when an appliance is used near children.
- Warning - The lens may get hot during use. To reduce the risk of burns, do not touch hot lens.
- Store idle light out of reach of children. Warm lights can become hazardous in the hands of children.
- Suitable for rain and wet locations. Store indoors.
- Batteries must be recharged only with the charger specified by the manufacturer. A charger that may be suitable for one type of battery may create a risk of fire when used with another battery.
- Use light only with specifically designated battery pack. Use of any other batteries may create a risk of fire.
- When battery pack is not in use, keep it away from metal objects like: paper clips, coins, keys, nails, screws, or other small metal objects that can make a connection from one terminal to another. Shorting the battery terminals together may cause sparks, burns, or a fire.
- Maintain labels and nameplates. These carry important information. If unreadable or missing, contact a MILWAUKEE service facility for a free replacement.

SAVE THESE INSTRUCTIONS

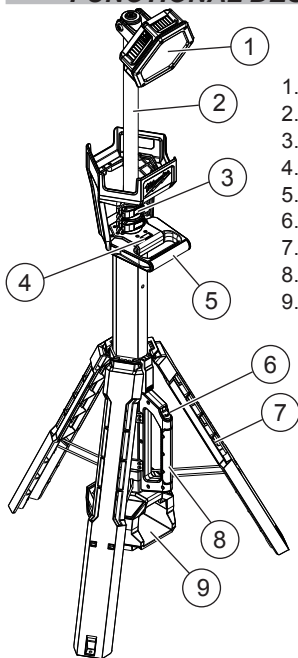
SYMBOLOLOGY

- V** Volts
- Direct Current
- cULus** UL Listing for Canada and U.S.
- 1.** **2.** Always extend legs before raising the poles.
- ⚠** Keep hands clear of housing when collapsing the extension poles.
- 📖** Read operator's manual.

SPECIFICATIONS

Cat. No. 2130-20
 Volts 18 DC
 Use only MILWAUKEE M18™ Li-Ion battery packs

FUNCTIONAL DESCRIPTION



1. Head
2. Extension poles
3. Extension latches
4. Switch
5. Upper handle
6. Leg release button
7. Legs
8. Carrying handle
9. Battery bay

ASSEMBLY

⚠ WARNING Recharge only with the charger specified for the battery. For specific charging instructions, read the operator's manual supplied with your charger and battery.

Inserting/Removing Battery Pack

Insert the battery pack by sliding battery pack into the battery bay. Insert the battery pack until the battery latches lock.

To remove the battery pack, press in both battery latches and slide the battery pack out of the battery bay.

⚠ WARNING To reduce the risk of injury, do not look directly into the light when the light is on.

To reduce the risk of injury, always fully extend and lock legs into position before raising the poles. Light may tip and cause injury.

To reduce the risk of injury, keep hands clear of the housing area when collapsing the extension poles. Head may descend rapidly, pinching hands and fingers.

Extending/Collapsing the Legs

Always extend and lock legs before raising the poles.

1. Stand light upright.
2. Press the Leg Release Button and slide the legs down using the Carrying Handle.
3. Lift up on the Upper Handle while sliding down the Carrying Handle.
4. Lift until the Battery Bay lifts off the floor and the legs lock into place.
5. To collapse, press the Leg Release Button and slide in the legs using the Carrying Handle. Keep hands clear of the legs as they collapse.

Extending/Collapsing the Extension Poles
Extend or collapse the two poles to set the light at the desired height.

1. Extend and lock the legs.
2. Open the top extension latch and raise the head out of the housing. Extend the pole to the desired height.
3. Fully close top extension latch.
4. If more height is needed, fully extend first pole and close latch before opening bottom latch.
5. Continue to raise the head to the desired height.
6. Fully close bottom extension latch.
7. Rotate the head to the desired angle.

OPERATION

Use the switch to cycle through High, Medium, Low, and OFF. Press and hold to turn OFF from any setting.

MAINTENANCE

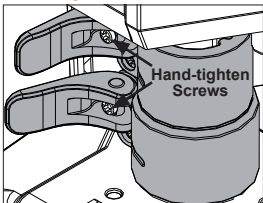
⚠️ WARNING To reduce the risk of injury, always unplug the charger and remove the battery pack from the charger or tool before performing any maintenance. Never disassemble the tool, battery pack or charger. Contact a MILWAUKEE service facility for ALL repairs.

Maintaining Light

Keep your light, battery pack and charger in good repair by adopting a regular maintenance program. If the light does not work properly, return the light to a MILWAUKEE service facility for repairs.

Tightening

To increase the holding force of the poles, tighten the extension latches. Open the latches and hand-tighten the screw inside. Do not over tighten, it will damage the latches. Never use power tools.



⚠️ WARNING To reduce the risk of personal injury and damage, never immerse your tool, battery pack or charger in liquid or allow a liquid to flow inside them.

Cleaning

Keep tool handles clean, dry and free of oil or grease. Use only mild soap and a damp cloth to clean the tool, battery pack and charger since certain cleaning agents and solvents are harmful to plastics and other insulated parts. Some of these include gasoline, turpentine, lacquer thinner, paint thinner, chlorinated cleaning solvents, ammonia and household detergents containing ammonia. Never use flammable or combustible solvents around tools.

ACCESSORIES

⚠️ WARNING Use only recommended accessories. Others may be hazardous. For a complete listing of accessories, go online to www.milwaukeeetool.com or contact a distributor.

SERVICE - UNITED STATES

1-800-SAWDUST (1.800.729.3878)

Monday-Friday, 7:00 AM - 6:30 PM CST
or visit www.milwaukeeetool.com

Contact Corporate After Sales Service Technical Support with technical, service/repair, or warranty questions.

Email: metproductsupport@milwaukeeetool.com

Become a Heavy Duty Club Member at www.milwaukeeetool.com to receive important notifications regarding your tool purchases.

SERVICE - CANADA

Milwaukee Tool (Canada) Ltd
1.800.268.4015

Monday-Friday, 7:00 AM - 4:30 PM CST
or visit www.milwaukeeetool.ca

LIMITED WARRANTY USA & CANADA

Every MILWAUKEE power tool* (see exceptions below) is warranted to the original purchaser only to be free from defects in material and workmanship. Subject to certain exceptions, MILWAUKEE will repair or replace any part on an electric power tool which, after examination, is determined by MILWAUKEE to be defective in material or workmanship for a period of five (5) years** after the date of purchase unless otherwise noted. Return of the power tool to a MILWAUKEE factory Service Center location or MILWAUKEE Authorized Service Station, freight prepaid and insured, is required. A copy of the proof of purchase should be included with the return product. This warranty does not apply to damage that MILWAUKEE determines to be from repairs made or attempted by anyone other than MILWAUKEE authorized personnel, misuse, alterations, abuse, normal wear and tear, lack of maintenance, or accidents. Normal Wear: Many power tools need periodic parts replacement and service to achieve best performance. This warranty does not cover repair when normal use has exhausted the life of a part including, but not limited to, chucks, brushes, cords, saw shoes, blade clamps, o-rings, seals, bumpers, driver blades, pistons, strikers, lifters, and bumper cover washers. **This warranty does not cover Air Nailers & Staplers; Airless Paint Sprayer; Cordless Battery Packs; Gasoline Driven Portable Power Generators; Hand Tools; Hoist - Electric, Lever & Hand Chain; M12™ Heated Gear; Reconditioned Product; and Test & Measurement Products. There are separate and distinct warranties available for these products. **The warranty period for Job Site Radians, M12™ Power Port, M18™ Power Source, Jobsite Fan and Trade Tatio™ Industrial Work Carts is one (1) year from the date of purchase. The warranty period for the Cables for the Drain Snake is two (2) years from the date of purchase. The warranty period for the LED in the LED Work Light and the LED Upgrade Bulb for the Work Light is the lifetime of the product subject to the limitations above. If during normal use the LED or LED Bulb fails, the part will be replaced free of charge.

Warranty Registration is not necessary to obtain the applicable warranty on a MILWAUKEE power tool product. The manufacturing date of the product will be used to determine the warranty period if no proof of purchase is provided at the time warranty service is requested.

ACCEPTANCE OF THE EXCLUSIVE REPAIR AND REPLACEMENT REMEDIES DESCRIBED HEREIN IS A CONDITION OF THE CONTRACT FOR THE PURCHASE OF EVERY MILWAUKEE PRODUCT. IF YOU DO NOT AGREE TO THIS CONDITION, YOU SHOULD PURCHASE THE PRODUCT IN NO EVENT SHALL MILWAUKEE BE LIABLE FOR ANY INCIDENTAL, SPECIAL, CONSEQUENTIAL OR PUNITIVE DAMAGES, OR FOR ANY COSTS, ATTORNEY FEES, EXPENSES, LOSSES OR DELAYS ALLEGED TO BE AS A CONSEQUENCE OF ANY DAMAGE TO, FAILURE OF, OR DEFECT IN ANY PRODUCT INCLUDING, BUT NOT LIMITED TO, ANY CLAIMS FOR LOSS OF PROFITS. SOME STATES DO NOT ALLOW THE EXCLUSION OR LIMITATION OF INCIDENTAL OR CONSEQUENTIAL DAMAGES, SO THE ABOVE LIMITATION OR EXCLUSION MAY NOT APPLY TO YOU. THIS WARRANTY IS EXCLUSIVE AND IN LIEU OF ALL OTHER EXPRESS WARRANTIES, WRITTEN OR ORAL. TO THE EXTENT PERMITTED BY LAW, MILWAUKEE DISCLAIMS ANY IMPLIED WARRANTIES, INCLUDING WITHOUT LIMITATION ANY IMPLIED WARRANTY OF MERCHANTABILITY OR FITNESS FOR A PARTICULAR USE OR PURPOSE; TO THE EXTENT SUCH DISCLAIMER IS NOT PERMITTED BY LAW, SUCH IMPLIED WARRANTIES ARE LIMITED TO THE DURATION OF THE APPLICABLE EXPRESS WARRANTY AS DESCRIBED ABOVE. SOME STATES DO NOT ALLOW LIMITATIONS ON HOW LONG AN IMPLIED WARRANTY LASTS, SO THE ABOVE LIMITATION MAY NOT APPLY TO YOU. THIS WARRANTY GIVES YOU SPECIFIC LEGAL RIGHTS, AND YOU MAY ALSO HAVE OTHER RIGHTS WHICH VARY FROM STATE TO STATE.

This warranty applies to product sold in the U.S.A. and Canada only. Please consult the 'Service Center Search' in the Parts & Service section of MILWAUKEE's website www.milwaukeeetool.com or call 1.800.SAWDUST (1.800.729.3878) to locate your nearest service facility for warranty and non-warranty service on a MILWAUKEE electric power tool.

LIMITED WARRANTY - MEXICO, CENTRAL AMERICA & CARIBBEAN

TECHTRONIC INDUSTRIES' warranty is for 5 year since the original purchase date. This warranty card covers any defect in material and workmanship on this Power Tool. To make this warranty valid, present this warranty card, sealed/

stamped by the distributor or store where you purchased the product, to the Authorized Service Center (ASC). Or, if this card has not been sealed/stamped, present the original proof of purchase to the ASC. Call toll-free 1 800 832 1949 to find the nearest ASC, for service, parts, accessories or components.

Procedure to make this warranty valid

Take the product to the ASC, along with the warranty card sealed/stamped by the distributor or store where you purchased the product, and there any faulty piece or component will be replaced without cost for you. We will cover all freight costs relative with this warranty process.

Exceptions

This warranty is not valid in the following situations:

- a) When the product is used in a different manners from the end-user guide or instruction manual.
- b) When the conditions of use are not normal.
- c) When the product was modified or repaired by people not authorized by TECHTRONIC INDUSTRIES.

Note: If cord set is damaged, it should be replaced by an Authorized Service Center to avoid electric risks.

SERVICE AND ATTENTION CENTER:

Av Presidente Mazarik 29 Piso 7, 11570 Chapultepec Morales

Miguel Hidalgo, Distrito Federal, Mexico

Ph. 52 55 4160-3547

IMPORTED AND COMMERCIALIZED BY:

TECHTRONIC INDUSTRIES MEXICO, S.A. DE C.V.

Av Presidente Mazarik 29 Piso 7, 11570 Chapultepec Morales

Miguel Hidalgo, Distrito Federal, Mexico

Model: _____

Date of Purchase: _____

Distributor or Store Stamp: _____

CONSIGNES DE SÉCURITÉ IMPORTANTES

⚠️ AVERTISSEMENT Lire et

veiller à bien comprendre toutes les instructions. Lors de l'utilisation d'outils électriques, toujours suivre les consignes de base, notamment :

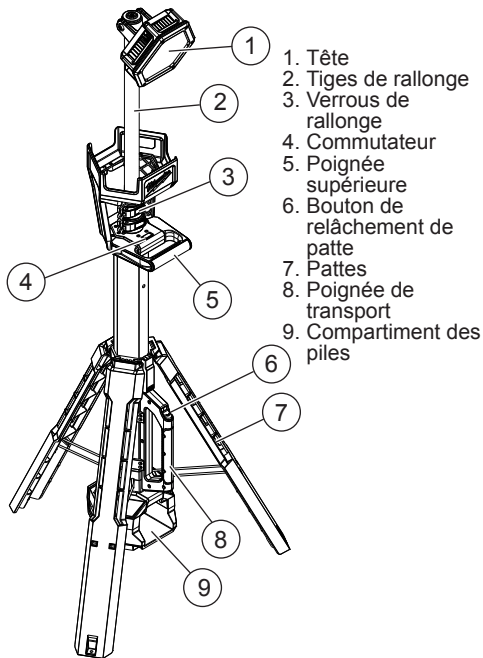
- Avant d'utiliser, lire le présent manuel d'utilisation, le manuel d'utilisation du bloc-piles et du chargeur, ainsi que toutes les étiquettes se trouvant sur le bloc-piles, le chargeur et la lampe. Lire le manuel de la lampe pour apprendre les applications et les limites, ainsi que les risques spécifiques relatifs à l'utilisation de cet outil.
- Lire et comprendre toutes les instructions avant d'utiliser l'appareil.
- Pour réduire les risques de blessure, porter une attention particulière lorsque le produit est utilisé en présence d'enfants.
- Avertissement – La lentille devient très chaude pendant l'utilisation. Pour réduire les risques de brûlures, ne pas toucher la lentille chaude.
- Entreposer la lampe non utilisée hors de la portée des enfants. Les lampes chaudes peuvent être dangereuses dans les mains des enfants.
- Peut être utilisé sous la pluie ou endroit humide. Entreposer à l'intérieur.
- Les piles doivent être chargées uniquement avec le chargeur spécifié par le fabricant. Un chargeur approprié pour un type de piles peut créer un risque d'incendie s'il est utilisé avec un autre type de piles.
- N'utiliser la lampe qu'avec un bloc-piles recommandé. L'usage de tout autre bloc-piles peut créer un risque d'incendie.

• Lorsque le bloc-piles n'est pas en usage, le tenir à l'écart des articles métalliques tels que : les attaches trombones, pièces de monnaie, clés, clous, vis et autres petits objets métalliques risquant d'établir le contact entre les deux bornes. La mise en court-circuit des bornes des piles peut causer des étincelles, des brûlures ou un incendie.

• Maintenir en état les étiquettes et les plaques signalétiques. Des informations importantes y figurent. Si elles sont illisibles ou manquantes, contacter un centre de service et d'entretien MILWAUKEE pour un remplacement gratuit.

CONSERVER CES INSTRUCTIONS

DESCRIPTION FONCTIONNELLE



1. Tête
2. Tiges de rallonge
3. Verrous de rallonge
4. Commutateur
5. Poignée supérieure
6. Bouton de relâchement de patte
7. Pattes
8. Poignée de transport
9. Compartiment des piles

PICTOGRAPHIE



Volts



Courant direct



UL Listing Mark pour Canada et États-unis



Toujours allonger les pattes avant de soulever les tiges de rallonge



Garder les mains à l'écart du boîtier en repliant les tiges de rallonge.



Lire le manuel d'utilisation.

SPECIFICATIONS

No de Cat.....2130-20
Volts.....18 CD
Utilisez uniquement les batteries Li-ion de
MILWAUKEE M18™

MONTAGE

⚠️ AVERTISSEMENT

Recharge only with the charger specified for the battery. For specific charging instructions, read the operator's manual supplied with your charger and battery.

Insertion/retrait d'un bloc-piles

Insérer le bloc-piles en le glissant dans le compartiment des piles. Insérer le bloc-piles jusqu'à ce que les verrous de pile se verrouillent.

Pour retirer le bloc-piles, appuyer sur les deux verrous de pile et glisser le bloc-piles hors du compartiment.

⚠️ AVERTISSEMENT

Pour réduire les risques de blessure, ne pas regarder directement dans la lumière lorsque l'éclairage est allumé.

Pour réduire les risques de blessure, toujours étendre complètement les pattes et les verrouiller en place avant de soulever les tiges de rallonge. La lampe peut se renverser et causer des blessures.

Pour réduire les risques de blessure, garder les mains à l'écart du boîtier en repliant les tiges de rallonge. La tête peut descendre rapidement, pinçant les mains et les doigts.

Étendre/replier les pattes

Toujours allonger les pattes avant de soulever les tiges de rallonge

1. Mettre la lampe en position verticale
2. Appuyer sur le bouton de relâchement des pattes et les glisser vers l'extérieur en utilisant la poignée de transport.
3. Relever la poignée supérieure en glissant vers le bas la poignée de transport.
4. Relever jusqu'à ce que le compartiment des piles s'éloigne du plancher et les pattes se verrouillent en place.
5. Pour replier, appuyer sur le bouton de relâchement des pattes et les glisser vers l'intérieur en utilisant la poignée de transport. En repliant les pattes, garder les mains à l'écart.

Étendre/replier les tiges de rallonge

Étendre ou replier les deux tiges de rallonge pour régler la lampe à la hauteur désirée.

1. Étendre et verrouiller les pattes.
2. Ouvrir le verrou d'extension supérieur et soulever la tête hors du boîtier. Étendre la tige de rallonge à la position désirée.
3. Fermer complètement le verrou d'extension supérieur.
4. Si une hauteur supplémentaire est requise, étendre complètement la tige et fermer le verrou avant d'ouvrir le verrou inférieur.
5. Continuer de soulever la tête à la position désirée.
6. Fermer complètement le verrou d'extension inférieur.
7. Faire tourner la tête à l'angle désiré.

MANIEMENT

À l'aide du commutateur, basculer entre Haut, Moyen, Bas et Arrêt. Appuyer et maintenir appuyé pour Arrêter l'appareil à n'importe quel réglage.

ENTRETIEN

⚠️ AVERTISSEMENT

Pour minimiser les risques de blessures corporelles, débranchez le chargeur et retirez la batterie du chargeur ou de l'outil avant d'y effectuer des travaux d'entretien. Ne démontez jamais l'outil, la batterie ou le chargeur. Pour toute réparation, consultez un centre de service MILWAUKEE accrédité.

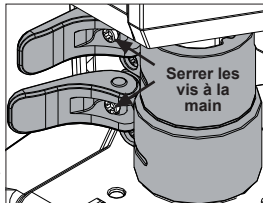
Entretien de la lampe de travail

Gardez la lampe de travail, la batterie et le chargeur en bonne condition en adoptant un programme de maintenance ponctuel.

Si la lampe n'éclaire toujours pas correctement, faites-la réparer à un centre de service MILWAUKEE accrédité.

De serrage

Pour augmenter la force de retenue des pôles, serrez les verrous de rallonge. Ouvrir les verrous et serrer à la main la vis à l'intérieur. Ne pas trop serrer, il endommagerait les liquets. Ne jamais utiliser d'outils électriques.



⚠️ AVERTISSEMENT

Pour minimiser les risques de blessures ou de dommages à l'outil, n'immergez jamais l'outil, la batterie ou le chargeur et ne laissez pas de liquide s'y infiltrer.

Nettoyage

Gardez les poignées de l'outil propres, à sec et exemptes d'huile ou de graisse. Le nettoyage de l'outil, du chargeur et de la batterie doit se faire avec un linge humide et un savon doux. Certains nettoyants tels l'essence, la térébenthine, les diluants à laque ou à peinture, les solvants chlorés, l'ammoniaque et les détergents d'usage domestique qui en contiennent pourraient détériorer le plastique et l'isolation des pièces. Ne laissez jamais de solvants inflammables ou combustibles auprès de l'outil.

ACCESOIRES

⚠️ AVERTISSEMENT

L'utilisation d'autres accessoires que ceux qui sont spécifiquement recommandés pour cet outil peut comporter des risques.

Pour une liste complète des accessoires, visiter le site internet www.milwaukeetool.com ou contactez un distributeur.

SERVICE - CANADA

Milwaukee Tool (Canada) Ltd

1.800.268.4015

Monday-Friday, 7:00 AM - 7:00 PM CST

www.milwaukeetool.ca

GARANTIE LIMITÉE - AUX ÉTATS-UNIS ET AU CANADA

Chaque outil électrique MILWAUKEE (voir exceptions ci-dessous) est garanti à l'acheteur d'origine uniquement pour être exempt de vices de matériaux et de fabrication. Sous réserve de certaines exceptions, MILWAUKEE réparera ou remplacera toute pièce d'un outil électrique qui, après examen par MILWAUKEE, s'est avérée être affectée d'un vice de matériau ou de fabrication et ce pendant une période de cinq (5) ans** à compter de la date d'achat, sauf indication contraire. Le retour de l'outil électrique, à un centre de réparations en usine MILWAUKEE ou à un centre d'entretien agréé MILWAUKEE, est requis en port prépayé et as-

suré. Une copie de la preuve d'achat doit être présentée avec le produit retourné. Cette garantie ne couvre pas les dommages que MILWAUKEE détermine être causés par des réparations ou des tentatives de réparation par quiconque autre que le personnel agréé par MILWAUKEE, ou par des utilisations incorrectes, des altérations, des utilisations abusives, une usure normale, une carence d'entretien ou des accidents.

Usure normale : Plusieurs outils électriques requièrent un remplacement et un entretien périodique de leurs pièces pour un meilleur rendement. Cette garantie ne couvre pas la réparation des pièces dues à l'utilisation normale de l'outil, y compris, mais sans s'y limiter, les mandrins, les brosses, les cordons, les sabots de scie, les portes-lames, les joints toriques, les joints, les amortisseurs, les lames d'entraînement, les pistons, les percuteurs, les crochets et les rondelles à couvercle amortisseur. *Cette garantie ne s'applique pas aux cloueuses-agrafeuses pneumatiques, aux pulvérisateurs à peinture sans air, aux blocs-piles pour outils sans fil, aux génératrices d'alimentation portatives à essence, aux outils à main, aux monte-charge – électriques, à levier et à chaîne (manuels), aux vestes chauffantes M12™, aux produits résinés, ni aux produits d'essai et de mesure. Il existe des garanties séparées distinctes pour ces produits.

**La période de garantie applicable pour les radios de chantier, le port d'alimentation M12™, la source électrique M18™, le ventilateur de chantier et les chariots de travail industriels Trade Titan™ est d'une durée d'un (1) an à compter de la date d'achat. La période de garantie pour les Câbles de la sonde spirale est de deux (2) ans à compter de la date d'achat. La période de garantie couvrant la DEL de la lampe de travail à DEL et l'ampoule améliorée à DEL de la lampe de travail est une garantie à vie du produit soumise aux limitations ci-dessus. En cas de défaillance de la DEL ou de l'ampoule à DEL pendant son utilisation normale, la pièce défaillante sera remplacée gratuitement.

L'enregistrement de la garantie n'est pas nécessaire pour bénéficier de la garantie en vigueur sur un outil électrique MILWAUKEE. La date de fabrication du produit servira à établir la période de garantie si aucune preuve d'achat n'est fournie lorsqu'une demande de service sous garantie est déposée.

L'ACCEPTATION DES RECOURS EXCLUSIFS DE RÉPARATION ET DE REMPLACEMENT DÉCRITS DANS LES PRÉSENTES EST UNE CONDITION DU CONTRAT D'ACHAT DE TOUT PRODUIT MILWAUKEE. SI VOUS N'ACCEPTEZ PAS CETTE CONDITION, VOUS NE DEVEZ PAS ACHETER LE PRODUIT. EN AUCUN CAS, MILWAUKEE NE SAURAIT ÊTRE RESPONSABLE DE TOUT DOMMAGE ACCESSOIRE, SPÉCIAL OU INDIRECT, DE DOMMAGES-INTÉRÊTS PUNITIFS OU DE TOUTE DEPENSE, D'HONORAIRES D'AVOCATS, DE FRAIS, DE PERTE OU DE DÉLAIS ACCESSOIRES À TOUT DOMMAGE, DÉFAILLANCE OU DÉFAUT DE TOUT PRODUIT, Y COMPRIS NOTAMMENT LES PERTES DE PROFIT, CERTAINS ÉTATS ET PROVINCES NE PERMETTANT PAS L'EXCLUSION OU LA LIMITATION DES DOMMAGES DIRECTS OU INDIRECTS, LES RESTRICTIONS CI-DESSUS PEUVENT DONC NE PAS VOUS ÊTRE APPLICABLES. CETTE GARANTIE EST EXCLUSIVE ET REMPLACE TOUTE AUTRE GARANTIE EXPRESSE, QU'ELLE SOIT VERBALE OU ÉCRITE. DANS LA MESURE PERMISE PAR LA LOI, MILWAUKEE RENONCE À TOUTE GARANTIE IMPLICITE, Y COMPRIS, MAIS SANS S'Y LIMITER, TOUTE GARANTIE IMPLICITE DE QUALITÉ MARCHANDE OU D'ADAPTATION À UNE UTILISATION OU À UNE FIN PARTICULIÈRE, DANS LA MESURE OU UNE TELLE SITUATION D'EXPOSITION N'EST PAS PERMISE PAR LA LOI. LA DURÉE DE CES GARANTIES IMPLICITES EST LIMITÉE À LA PÉRIODE APPLICABLE DE LA GARANTIE EXPRESSE, TEL QUE CELA EST DÉCRIT PRÉCÉDEMMENT. CERTAINS ÉTATS ET PROVINCES NE PERMETTANT PAS DE LIMITATION DE DURÉE DES GARANTIES IMPLICITES, LES RESTRICTIONS CI-DESSUS PEUVENT DONC NE PAS VOUS ÊTRE APPLICABLES. LA PRÉSENTE VOUS CONFÈRE DES DROITS LÉGAUX PARTICULIERS; VOUS BÉNÉFICIEZ ÉGALEMENT D'AUTRES DROITS QUI VARIENT D'UN ÉTAT À UN AUTRE. Cette garantie s'applique aux produits vendus aux États-Unis et au Canada uniquement.

Veillez consulter la rubrique Centre SAV Milwaukee, dans la section Pièces et Services du site Web de MILWAUKEE, à l'adresse www.milwaukeeool.com, ou composer le 1-800-SAWDUST (1-800-729-3878) afin de trouver le centre de service de votre région le plus proche pour l'entretien, sous garantie ou non, de votre outil électrique MILWAUKEE.

GARANTIE LIMITÉE - MEXIQUE, AMÉRIQUE CENTRALE ET CARAÏBES

TECHTRONIC INDUSTRIES™ garantit le produit pendant cinq ans à partir de la date d'achat d'origine. Le présent bon de garantie couvre tous les vices de matériel et de fabrication que peut afficher cet outil électrique. Pour assurer la validité de la présente garantie, veuillez présenter le bon de commande, estampillé du sceau du distributeur ou du magasin où le produit a été acheté, au centre de réparations agréé. Si le bon de commande n'a pas été estampillé, veuillez fournir la preuve d'achat d'origine au centre de réparations agréé. Pour un entretien, des pièces, des accessoires ou d'autres composants, composer sans frais le 1-800-368-1949 afin d'obtenir les coordonnées du centre de réparations agréé le plus près. Procédure pour assurer la validité de la garantie.

Présenter le produit au centre de réparations agréé, accompagné du bon de commande estampillé du sceau du distributeur ou du magasin où le produit a été acheté. Toute pièce défectueuse ou tout composant défectueux sera remplacé sans frais. Milwaukee assume tous les frais de transport liés à ce processus de garantie. Exceptions

- La garantie ne s'applique pas dans les situations suivantes :
- Si le produit a été utilisé pour une fin autre que celle indiquée dans le guide de l'utilisateur final ou le manuel d'instructions.
 - Si les conditions d'utilisations ne sont pas habituelles.
 - Si le produit a été modifié ou réparé par une personne non autorisée par TECHTRONIC INDUSTRIES.

Note : Si le cordon électrique est endommagé, il doit être remplacé par un centre de réparations agréé pour éviter les risques d'électrocution.

CENTRE DE RÉPARATIONS ET DE SERVICE:
Av Presidente Mazarik 29 Piso 7, 11570 Chapultepec Morales
Miguel Hidalgo, Distrito Federal, Mexico
Ph. 52 55 4160-3547
IMPORTÉ ET COMMERCIALISÉ PAR :
TECHTRONIC INDUSTRIES MEXICO, S.A. DE C.V.
Av Presidente Mazarik 29 Piso 7, 11570 Chapultepec Morales
Miguel Hidalgo, Distrito Federal, Mexico

Modèle : _____

Date d'achat : _____

Sceau du distributeur ou du magasin :

INSTRUCCIONES IMPORTANTES DE SEGURIDAD

⚠ ADVERTENCIA

Lea y comprenda todas las instrucciones. Al utilizar aparatos eléctricos, siempre se deben seguir las precauciones básicas, incluyendo las siguientes:

- Antes de utilizar la linterna, lea este manual del operador, el manual de su batería y cargador y todas las etiquetas de la batería, el cargador y la lámpara. Infórmese acerca de las aplicaciones y limitaciones de su lámpara, así como los riesgos potenciales relacionados con este tipo de herramienta.
- Lea y comprenda todas las instrucciones antes de utilizar el aparato.
- Para reducir el riesgo de lesiones, se requiere supervisión estrecha al utilizar un aparato cerca de donde hay niños.
- Advertencia - La lente puede calentarse durante el uso. Para reducir el riesgo de quemaduras, no toque la lente caliente.
- Cuando no se esté usando, guarde la lámpara fuera del alcance de los niños. Las lámparas calientes pueden ser peligrosas en manos de menores de edad.
- Adecuado para lugares con la lluvia y húmedo. Guarde en interiores.
- Las baterías deben recargarse únicamente con el cargador especificado por el fabricante. Un cargador que pudiera ser adecuado para un tipo de batería puede crear un riesgo de incendio cuando se usa con otra batería.
- Utilice la lámpara únicamente con baterías específicamente diseñadas para la misma. El uso de otras baterías puede crear un riesgo de incendio.
- Cuando la batería no esté en uso, manténgala alejada de objetos metálicos como sujetapapeles, monedas, llaves, clavos, tornillos u otros objetos metálicos pequeños que puedan formar una conexión de una terminal a otra. Provocar un cortocircuito al juntar las terminales de las baterías puede causar chispas, quemaduras o un incendio.
- Conserve las etiquetas y las placas nominales. Contienen información importante. Si son ilegibles o no están presentes, comuníquese con un centro de servicio MILWAUKEE para obtener un reemplazo gratuito.

GUARDE ESTAS INSTRUCCIONES

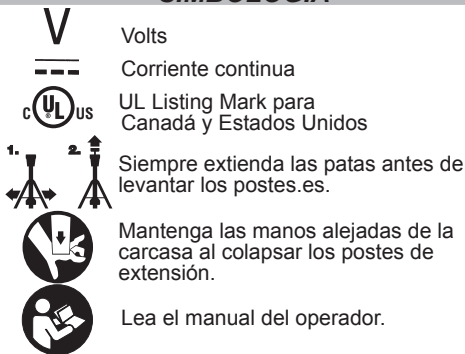
ESPECIFICACIONES

Cat. No. 2130-20

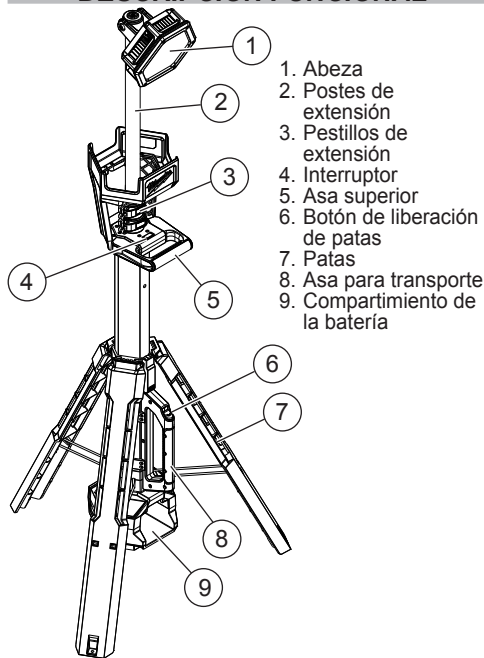
Volts 18 cd

Utilice sólo baterías de ion de litio de MILWAUKEE M18™

SIMBOLOGÍA



DESCRIPCION FUNCIONAL



ENSAMBLAJE

ADVERTENCIA Recargue la batería sólo con el cargador especificado para ella. Para instrucciones específicas sobre cómo cargar, lea el manual del operador suministrado con su cargador y la batería.

Cómo insertar/extraer la batería

Para **insertar** la batería, deslícela hacia el interior del compartimiento de la batería. Inserte la batería hasta que los pestillos de la misma se traben. Para **extraer** la batería, presione ambos pestillos de la batería y deslice la batería para sacarla del compartimiento.

ADVERTENCIA Para reducir el riesgo de lesiones, no mire directamente hacia la luz cuando la lámpara esté encendida.

Para reducir el riesgo de lesiones, siempre extienda por completo y trabe las patas en su lugar antes de elevar los postes. La lámpara podría volcarse y provocar lesiones.

Para reducir el riesgo de lesiones, mantenga las manos alejadas del área de la carcasa al colapsar los postes de extensión. La cabeza pudiera descender rápidamente, pellizcando manos y dedos.

Extensión/colapsado de las patas

Siempre extienda y trabe las patas antes de levantar los postes.

1. Ponga la lámpara de pie.
2. Presione el botón de liberación de las patas y deslice las patas hacia abajo usando el asa para transporte.
3. Levante el asa superior mientras desliza el asa para transporte hacia abajo.
4. Levante hasta que el compartimiento de la batería se levante del piso y las patas se traben en su lugar.
5. Para colapsar, presione el botón de liberación de las patas y deslice las patas hacia adentro usando el asa para transporte. Mantenga las manos alejadas de las patas mientras se colapsan.

Extensión/colapsado de los postes de extensión
Extienda o colapse los dos postes para colocar la lámpara a la altura deseada.

1. Extienda y trabe las patas.
2. Abra el pestillo de extensión superior y eleve la cabeza para sacarla de la carcasa. Extienda el poste a la altura deseada.
3. Cierre por completo el pestillo de extensión superior.
4. Si se requiere más altura, extienda por completo el primer poste y cierre el pestillo antes de abrir el pestillo inferior.
5. Siga elevando la cabeza a la altura deseada.
6. Cierre por completo el pestillo de extensión inferior.
7. Gire la cabeza al ángulo deseado.

OPERACION

Use el interruptor para ciclar por los ajustes alto, medio, bajo y APAGADO. Presione sin soltar para APAGAR desde cualquier ajuste.

MANTENIMIENTO

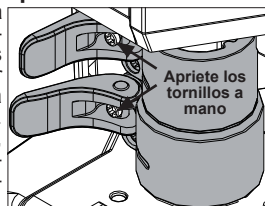
ADVERTENCIA Para reducir el riesgo de una lesión, desconecte siempre la herramienta antes de darle cualquier mantenimiento. Nunca desarme la herramienta ni trate de hacer modificaciones en el sistema eléctrico de la misma. Acuda siempre a un Centro de Servicio MILWAUKEE para TODAS las reparaciones.

Mantenimiento de la lámpara de trabajo

Mantenga la lámpara de trabajo, el paquete de la batería y el cargador en buenas condiciones adoptando un programa regular de mantenimiento. Si la lámpara de trabajo todavía no funciona correctamente, devuelva la lámpara de trabajo a un centro de servicio MILWAUKEE para que se realicen reparaciones.

De apriete

Para aumentar la fuerza de retención de los polos, apriete los pestillos de la extensión. Abra los pestillos y apriete a mano el tornillo interior. No apretar en exceso, puede dañar los pestillos. No use herramientas eléctricas.



ADVERTENCIA Para reducir el riesgo de una explosión, no quemar nunca una batería, aun si está dañada, "muerta" o completamente descargada.

Limpieza

Mantenga los mangos y empuñaduras limpios, secos y libres de aceite o grasa. Use solo jabón neutro y un trapo húmedo para limpiar la herramienta, batería y el cargador, ya que algunos substancias y solventes limpiadores son dañinos a los plásticos y partes aislantes. Algunos de estos incluyen: gasolina, turpentina, thinner, lacas, thinner para pinturas, solventes para limpieza con cloro, amoníaco y detergentes caseros que tengan amonía. Nunca use solventes inflamables o combustibles cerca de una herramienta..

ACCESORIOS

ADVERTENCIA Utilice sólo los accesorios específicamente recomendados. Otros accesorios puede ser peligroso. Para una lista completa de accesorios, visite nuestro sitio en Internet: www.milwaukeeetool.com o póngase en contacto con un distribuidor.

SOPORTE DE SERVICIO - MEXICO

CENTRO DE ATENCIÓN A CLIENTES
Techtronic Industries Mexico, S.A. de C.V.

Av. Presidente Mazarik 29 Piso 7

11560 Polanco V Seccion

Miguel Hidalgo, Distrito Federal, México

01 (800) 030-7777 o (55) 4160-3540

Lunes a Viernes (9am a 6pm)

O contáctanos en www.milwaukeeetool.com mx

GARANTÍA LIMITADA - E.U.A. Y CANADÁ

Cada herramienta eléctrica* MILWAUKEE (vea las excepciones más adelante) se garantiza al comprador original únicamente contra defectos en materiales y mano de obra. Sujeto a ciertas excepciones, MILWAUKEE reparará o reemplazará cualquier parte de una herramienta eléctrica que, tras una revisión, MILWAUKEE determine que tiene defectos en material o mano de obra durante un periodo de cinco (5) años** después de la fecha de compra, a menos que se indique lo contrario. Se requiere que se envíe la herramienta eléctrica a un Centro de Servicio de fábrica de MILWAUKEE o a una Estación de Servicio Autorizada de MILWAUKEE, con flete prepagado y asegurado. Debe incluirse una copia del comprobante de compra con el producto enviado. Esta garantía no aplica a daños que MILWAUKEE determine que son ocasionados por reparaciones o intentos de reparaciones realizados por una persona que no sea personal autorizado de MILWAUKEE, uso indebido, alteraciones, maltrato, desgaste normal, falta de mantenimiento o accidentes. Desgaste normal: Muchas herramientas eléctricas necesitan reemplazos periódicos de partes y servicio para lograr el mejor rendimiento. Esta garantía no cubre la reparación cuando el uso normal ha agotado la vida útil de una parte, incluyendo, entre otras, mandriles, cepillos, cables, zapatas de sierra, abrazaderas de hoja, juntas tóricas, sellos, parachoques, cuchillas de propulsión, pistones, percutores, elevadores y arandelas de la cubierta del parachoques.

*Esta garantía no cubre las clavadoras y grapadoras neumáticas, pulverizador de pintura sin aire, baterías inalámbricas, generadores portátiles accionados por gasolina, herramientas manuales, polipasto eléctrico, de palanca y cadena manual, prendas calefactadas M12™; productos reacondicionados, y productos de prueba y medición. Hay garantías independientes y distintas disponibles para estos productos.

**El periodo de garantía de los radios para obra, puerto de energía M12™, fuente de poder M18™, ventilador para obra y carros de trabajo industriales, Trade Titan™ es de un (1) año a partir de la fecha de compra. El periodo de garantía de los cables de la sonda flexible para desagües es de dos (2) años a partir de la fecha de compra. El periodo de garantía del LED de la lámpara de trabajo LED y el foco de cambio a LED para la lámpara de trabajo es por toda la vida del producto, sujeto a las limitaciones mencionadas anteriormente. Si durante el uso normal falla el LED o el foco LED, la parte se reemplazará sin cargo alguno. No es necesario el registro de la garantía para obtener la garantía correspondiente para un producto de herramienta eléctrica MILWAUKEE. La fecha de manufactura del producto se utilizará para determinar el periodo de garantía si no se proporciona comprobante de compra al solicitar el servicio en garantía.

LAACEPTACIÓN DE LOS REMEDIOS EXCLUSIVOS DE REPARACIÓN Y REEMPLAZO AQUÍ DESCRITOS ES UNA CONDICIÓN DEL CONTRATO PARA LA COMPRA DE TODO PRODUCTO DE MILWAUKEE. SI USTED NO ACEPTA ESTA CONDICIÓN, NO DEBE COMPRAR EL PRODUCTO. MILWAUKEE NO SERÁ RESPONSABLE EN NINGÚN CASO DE DAÑOS INCIDENTALES, ESPECIALES, EMERGENTES O PUNITIVOS, NI DE NINGÚN COSTO, HONORARIOS LEGALES, GASTOS, PERDIDAS O DEMORAS ALEGADAS COMO CONSECUENCIA DE ALGÚN DAÑO, FALLA O DEFECTO EN NINGÚN PRODUCTO, INCLUYENDO, ENTRE OTROS, RECLAMACIONES POR PERDIDA DE UTILIDADES. ALGUNOS ESTADOS NO PERMITEN LA EXCLUSIÓN O LIMITACIÓN DE RESPONSABILIDAD POR DAÑOS INCIDENTALES O EMERGENTES. POR LO QUE LA ANTERIOR LIMITACIÓN O EXCLUSIÓN PODRÍA NO APLICARSE EN SU CASO. ESTA GARANTÍA ES EXCLUSIVA Y REEMPLAZA TODAS LAS DEMÁS GARANTÍAS EXPRESAS, ESCRITAS U ORALES EN LA MEDIDA EN QUE LO PERMITA LA LEY. MILWAUKEE DESCONOCE CUALQUIER GARANTÍA IMPLÍCITA, INCLUYENDO, SIN LIMITACIÓN, CUALQUIER GARANTÍA IMPLÍCITA DE COMERCIABILIDAD O IDONEIDAD PARA UN FIN O USO ESPECÍFICO; EN LA MEDIDA EN QUE DICHO DESCONOCIMIENTO NO SEA PERMITIDO POR LA LEY. DICHAS GARANTÍAS IMPLÍCITAS SE LIMITAN A LA DURACIÓN DE LA GARANTÍA EXPRESA CORRESPONDIENTE SEGÚN SE DESCRIBIÓ ANTERIORMENTE. ALGUNOS ESTADOS NO PERMITEN LIMITACIONES SOBRE LA DURACIÓN DE UNA GARANTÍA IMPLÍCITA, POR LO QUE LA ANTERIOR LIMITACIÓN PODRÍA NO APLICARSE A USTED. ESTA GARANTÍA LE DA DERECHOS LEGALES ESPECÍFICOS Y USTED PODRÍA ADemás TENER OTROS DERECHOS QUE VARIAN DE UN ESTADO A OTRO. Esta garantía aplica a productos vendidos en los Estados Unidos y en Canadá únicamente.

Consulte la 'Búsqueda de Centros de Servicio' en la sección de Refacciones y Servicio del sitio web de MILWAUKEE www.milwaukeeetool.com o llame al 1.800.SAWDUST (1.800.729.3878) para localizar el centro de servicio más cercano para servicio dentro y fuera de la garantía para una herramienta eléctrica MILWAUKEE.

PÓLIZA DE GARANTÍA - VALIDA SOLO PARA MEXICO, AMÉRICA CENTRAL Y EL CARIBE

TECHTRONIC INDUSTRIES, garantiza por 5 años este producto a partir de la fecha original de compra.

Esta garantía cubre cualquier defecto que presenten las piezas, componentes y la mano de obra contenidas en este producto Para América Central y el Caribe se debe confirmar en el Centro de Servicio Autorizado el plazo de la garantía. Para hacer efectiva la Garantía deberá presentar al Centro de Servicio Autorizado la Póliza de Garantía sellada por el establecimiento en donde adquirió el producto. Si no la tienen, podrá presentar el comprobante de compra original. Usted puede llamar sin costo al teléfono 01 800 832 1949 o por correo electrónico a la dirección "servicio@tigrouppna.com", para ubicar el Centro de Servicio Autorizado más cercano a su domicilio, en el cual además podrá adquirir partes, componentes, consumibles y accesorios, que usted necesite.

Procedimiento para hacer válida la garantía
Acuda al Centro de Servicio con el producto y la póliza de garantía sellada por el establecimiento donde realizó la compra. Ahí se reemplazará cualquier pieza o componente defectuoso sin cargo alguno para el usuario final. La empresa se hace responsable de los gastos de transportation razonablemente erogados que se deriven del cumplimiento de la presente garantía.

Excepciones
La garantía perderá validez en los siguientes casos:
a) Cuando el producto se hubiese utilizado en condiciones distintas a las normales.
b) Cuando el producto no hubiese sido operado de acuerdo con el instructivo de uso que lo acompaña.
c) Cuando el producto hubiese sido alterado o reparado por personas no autorizadas por TECHTRONIC INDUSTRIES.

Nota: Si el cordón de alimentación es dañado, este debe ser reemplazado por el fabricante o por un Centro de Servicio Autorizado para evitar riesgo.

CENTRO DE SERVICIO Y ATENCIÓN A CLIENTES
Av Presidente Mazarik 29 Piso 7, 11570 Chapultepec Morales
Miguel Hidalgo, Distrito Federal, Mexico
Tel. 52 55 4160-3547

IMPORTADO Y COMERCIALIZADO POR:
TECHTRONIC INDUSTRIES MEXICO, S.A. DE C.V.
Av Presidente Mazarik 29 Piso 7, 11570 Chapultepec Morales
Miguel Hidalgo, Distrito Federal, Mexico

Modelo: _____

Fecha de Compra: _____

Sello del Distribuidor: _____

MILWAUKEE TOOL
13135 West Lisbon Road
Brookfield, Wisconsin, U.S.A. 53005

58142130d4
06/16

01605500104Q-04(A)
Printed in China